

# 6" Full HD Field Monitor

## F970 Install and Power Kit



# User Manual

## **Foreword**

Thank you for purchasing our 6-inch Full HD monitor. Please read this manual carefully before using the unit. Have a great experience!

## **CAUTION**

- Please avoid the heavy impact and drop onto the ground when move the product.
- Please do not cover the vents and holes on the enclosure and do not place the machine on a bed, sofa, and rug to ensure good ventilation. Otherwise it will lead to overheating and reduce the service life.
- The screen of this product is made of glass. Please do not drop the screen towards the ground. Keep away from injury if the screen is broken.
- Keep the product away from the heat source, such as the radiator, the water heater, the stoves and the other heating products.
- Avoid the prolonged exposures to the sun as the LCD screen will be damaged.
- To avoid damaging the product, please do not take apart or repair the unit by yourself without the adjustable components in the unit.
- To maintain the LCD screen better, please notice the ways as below to avoid the scratch, the discoloration and the other damages.
  1. Please refrain from using the hard objects to hit the screen.
  2. Please do not force to wipe the screen.
  3. Please do not use the chemical solutions to clean the screen.
  4. Please do not spray any detergent on the screen.
  5. Please do not write on the screen directly.
  6. Please do not stick on the screen.

7. Please simply wipe with a clean soft cloth and make sure no water on the screen.

- To protect the plastic cover better, please follow these ways as below to avoid the damages;
  1. Please do not use the chemical solutions to clean the cover.
  2. Please keep away from the volatile things.
  3. Please do not clean the case hard.
  4. Please simply wipe with a clean soft cloth and make sure no water on the cover.

## **Key Features**

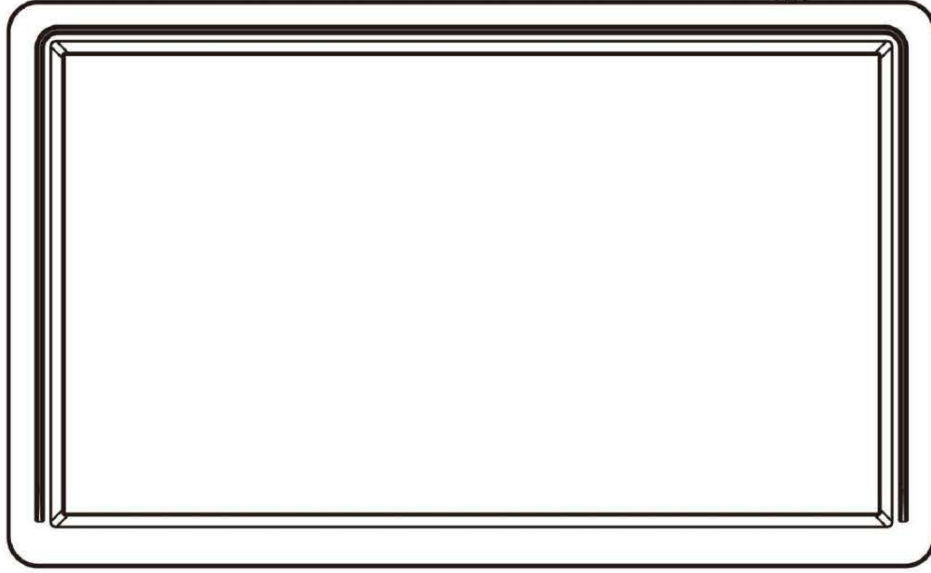
- ◆ 6-inch 1920x1080full HD IPS screen
- ◆ New UI interface, easier to setup
- ◆ Scroll Wheel button operation, a button can complete all the operations
- ◆ Supports 3D LUT Log to REC.709 and user 3D LUT upload (up to 32)
- ◆ With Waveform, Vectorscope, RGB Histogram, Focus Assist, Monochrome etc. functions, help you accurately exposure and focus every shot.
- ◆ Multiple power supply modes: DC IN 12V, Type-C 5V and NP-F battery slot, meet the different selection.
- ◆ Stereo Earphone output
- ◆ DC 8V power out to power your DSLR camera or mirrorless camera

# CONTENTS

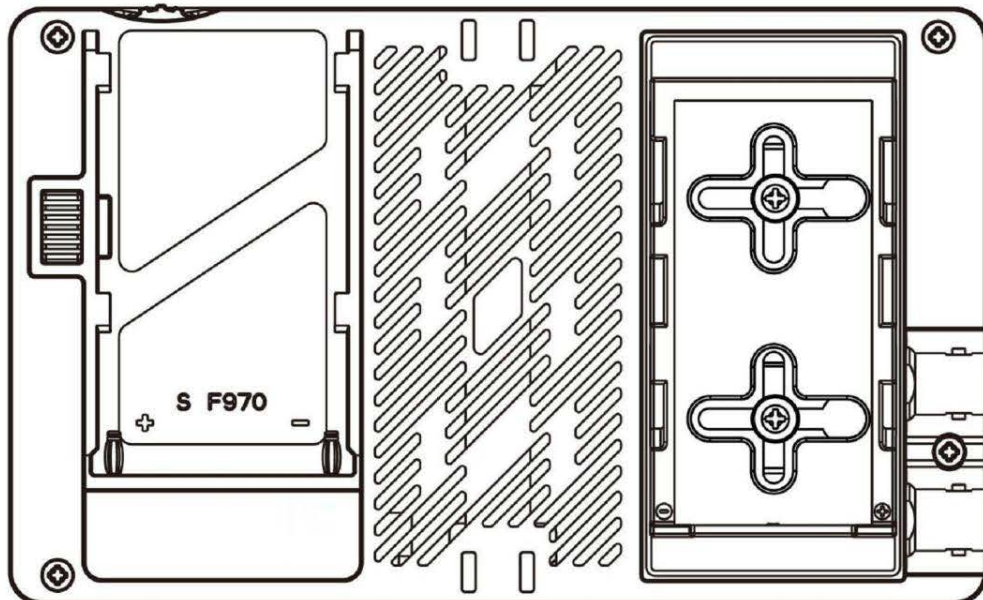
<b>1. Product Description</b>	<b>4</b>
1.1 Button Instruction	5
1.2 Port Instruction (bottom)	5
1.3 Port Instruction (left)	6
1.4 Power Input	7
1.5 Sony F970 Install and Power Kit	8
1.6 Mount Points	9
1.7 Sunshade	11
<b>2. Menu Operation Instruction</b>	<b>11</b>
<b>3. Menu Interface Instruction</b>	<b>11</b>
<b>4. Menu Function Instruction</b>	<b>12</b>
<b>5. Technical Parameters</b>	<b>17</b>
<b>6. Trouble Shooting</b>	<b>18</b>

## 1. Product Description

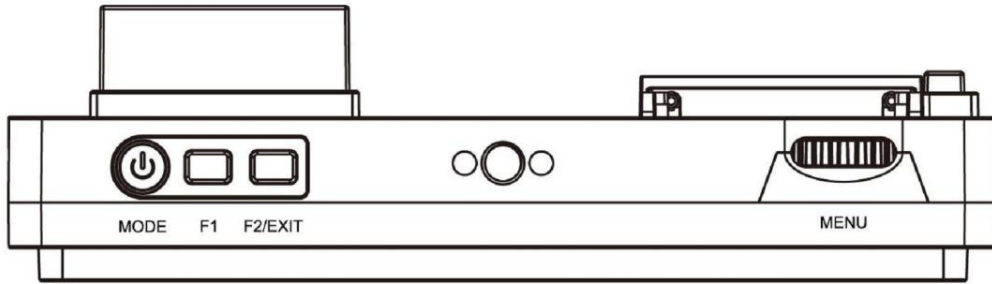
- Front Panel




- Back Panel

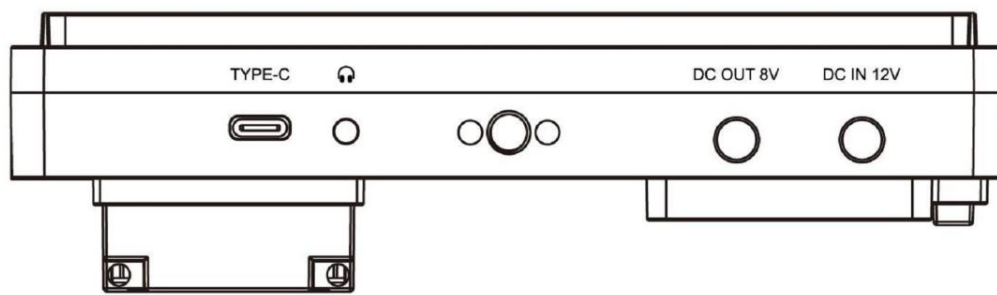


## 1.1 Button Instruction



Button	Function when OSD is not displayed	Function when OSD is displayed
 <b>MODE</b>	Long press turn ON/OFF power Short press signal mode switching	Long press turn off power
<b>F1</b>	Custom button F1	/
<b>F2/EXIT</b>	Custom button F1	Return to previous OSD menu Exit the menu
<b>MENU</b>	Short Press to bring up main menu; Volume/Backlight adjustment	Scroll to select next menu item or function/parameters value adjustment; Short press to confirm the selected menu item or function; Long press return to previous OSD menu or exit the menu

## 1.2 Port Instruction (bottom)



**Type-C:** Type-C power input. It is recommended to be used for local power supply only. It is not recommended to connect other devices to provide loop-out power. It also use to firmware update and LUT files import.


: 3.5mm Earphone port output

**DC OUT 8V:** DC power output interface, polarity as the output power

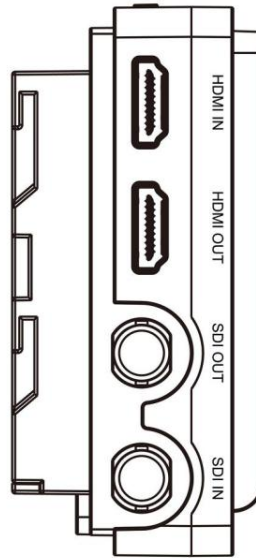


Barrel output for powering your camera with a separately available DC coupler via adaptor (like NP-FW50 Sony & LP-E6 Canon&DMW-BLF19 Panasonic).

**DC IN 12V:** DC power input interface, polarity as the input

power 

### 1.3 Port Instruction (left)



**HDMI IN:** V1.4, HDMI signal input, up to 4K@30Hz.

**HDMI OUT:** V1.4, HDMI signal output, up to 4K@30Hz.

**SDI OUT:** SDI signal output

**SDI IN:** SDI signal input

#### **1.4 Power Supply Way**

(1) The rear cover of the monitor is equipped with a F970 battery plate, which is applicable to F970 series of batteries.

● **Sony F970 battery plate for battery of Sony DV:**

Sony F970 F960 F950 F930 F770 F750 F730 F570 F550 F530 series.

It is recommended to use standard original F970 battery.

When using battery power supply: two power output interfaces (DC OUT 8V interface and external install and power kit) can be connected to other device.

When powering other device, it is recommended to choose a battery with a larger capacity, so the longer the use time.

**Remark: Please take off the battery from the monitor if you don't use the monitor in a long time.**

(2) The left side of the monitor has a DC 12V input power port



(5.5mm outer, 2.1mm inner) and supports 7 ~ 24V wide voltage.

The DC power adapter needs to be purchased separately.

When using external adapter input: two power output interfaces (DC OUT 8V interface and external install and power kit) can be connected to other devices.

When powering other equipment, it is recommended to equip at least 3A power adapter.

(3) The bottom of the monitor has a Type-C 5V input power port.

This port can be connected to the power bank for power supply and is not used for data transmission; it is recommended to be used only for local power supply, and it is not recommended to connect other devices to provide loop-out power.

## **1.5 Sony F970 Install and Power Kit**

A Sony F970 external install and power kit design is added to the back of the monitor. The external kit can be used to install and install the external equipment, like wireless transmitter, LED light, video converter and others which can be powered by Sony F970 battery.

The kit has two cross grooves, you can adjust the position of the external device by loosening 2 screws up and down / left or right, or install the kit upside down. When you don't need the kit, you can loosen the screws and remove the kit.

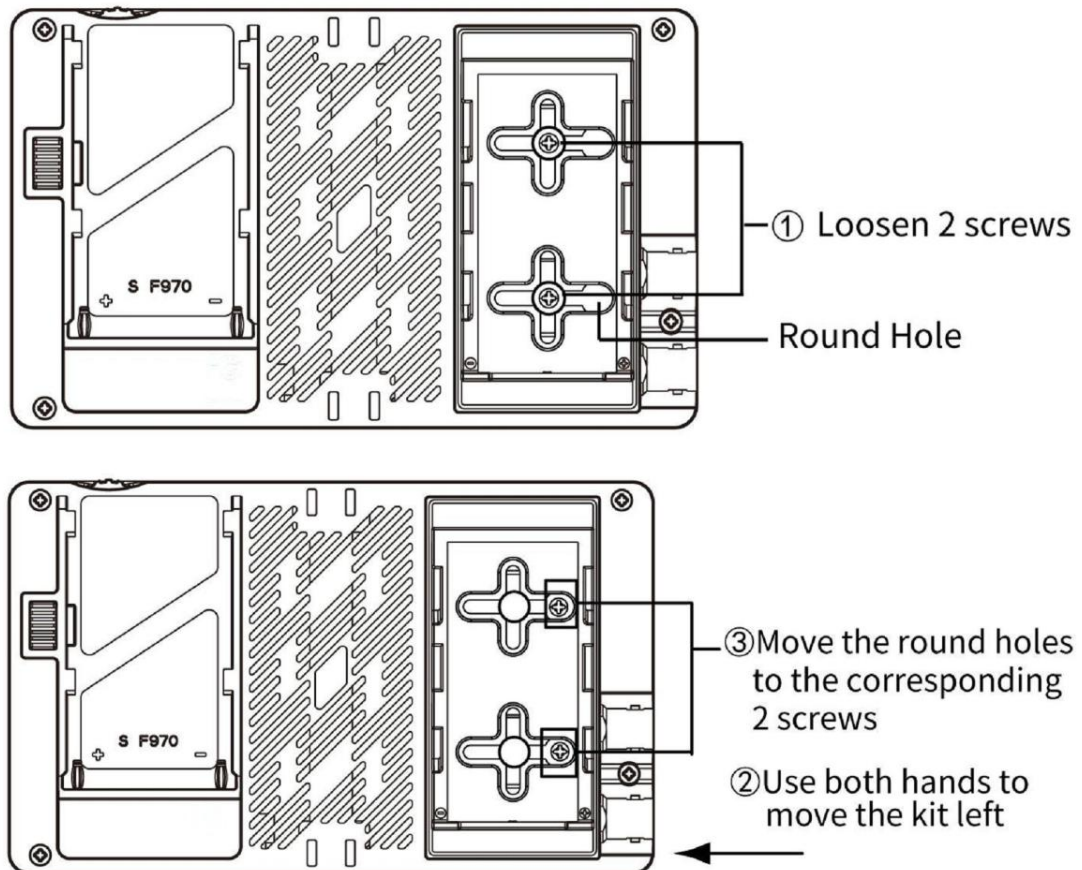
**Note: Before disassembling the kit, make sure that the monitor is turned off, and then remove the battery or power adapter.**

**(1) Just move the kit:** Loosen 2 screws, and then adjust up / down / left / right.

**(2) Steps to remove the kit:**

- ①. Loosen the 2 screws.
- ②. Use both hands to move the kit left.
- ③. Move the round holes to the corresponding 2 screws.

**(You can also install the kit upside down.)**



④. Then gently lift the kit upwards and carefully disassemble the 2P power cord.

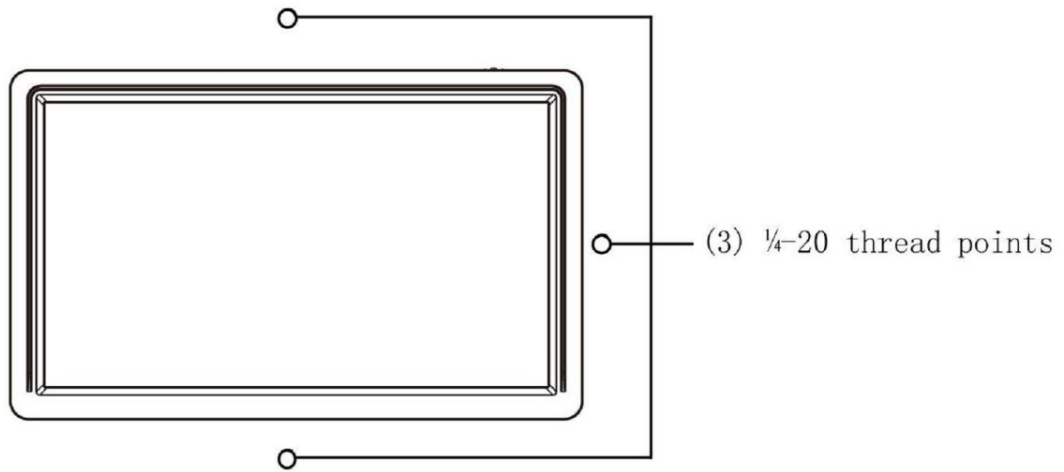
⑤. Then remove the 2 screws.

**(4) Install back to the kit:** first screw the 2 screws back to the screw hole used to install the kit on the back of the monitor, install the 2P power cable to the cutout, then align the round hole of the kit with the screw, and then push the kit to the screw at the center of the kit cross, then tighten the screws.

## 1.6 Mount Points

### (1) 1/4-20 Thread Points

There are (3) 1/4-20 thread points (top, bottom, right side) can be easily connected to the hot shoe mount, tripod fixed installation.



## (2) Tilt Arm Mounting

The monitor secures to your camera using the included Tilt Arm via shoe mount or 1/4"-20 thread. The Tilt Arm enables 180° of tilt for convenient monitoring at nearly any angle. A cold shoe on the Tilt Arm lets you secure equipment (like a microphone, LED light, or wireless receiver) that would otherwise be displaced from the camera's accessory shoe.



## 1.7 Sunshade



① Velcro



② Sunshade Frame (Paste Velcro)




③ Sunshade




④ Sunshade Application

Attach the Velcro (hook side) ① to the outside of the sunshade frame of the monitor, open the sunshade ③, and align the Velcro (loop side) on the inside of the sunshade with the Velcro (hook side) ② on the monitor sunshade frame, and then complete the sunshade installation ④.

## 2. Menu Operation Instruction

After correctly connect to the power supply, the indicator will turn (Red), press  to turn on monitor power, the indicator will be Yellow, and then input signals, the indicator will turn Green from Yellow.

**2.1** When the menu is not displayed, scroll the wheel to adjust the volume or backlight. You can select  "Left and Right Key Set" in the menu "User Options" to set volume or backlight.

**2.2** Press "**MENU**" scroll wheel button to enter OSD main menu, and scroll the wheel to go through the secondary menu function.

